



Canne fumarie inox
Accessori per fumisteria

LISTINO PREZZI 2022



DOPPIA PARETE ISOLATA 50 mm
50 MM INSULATED DOUBLE-WALL

DOPPIA PARETE ISOLATA 50 mm



DOPPIA PARETE ISOLATA 50 mm

50 MM INSULATED DOUBLE-WALL

DESCRIZIONE / DESCRIPTION

Camino a doppia parete metallica isolato con lana di roccia di spessore 50mm , parete interna in acciaio 1.4404 (AISI 316 L) di spessore 0,5 mm; di 0,6 mm; di 0,8 mm; o di 1 mm e parete esterna in acciaio inox o rame.
Range diametri interni con parete esterna in acciaio 80 mm ÷ 900 mm.
Range diametri interni con parete esterna in rame 80 mm ÷ 500 mm.

*Double-wall metal chimney insulated with 50 mm thick rock wool, internal wall made of steel type 1.4404 (AISI 316 L), thickness: 0.5 mm, 0.6 mm, 0.8 mm or 1 mm, and external wall made of stainless steel or copper.
Internal diameter range with external wall made of steel: 80 mm ÷ 900 mm.
Internal diameter range with external wall made of copper: 80 mm ÷ 500 mm.*

APPLICAZIONI / APPLICATIONS

Evaquazione fumi umidi e secchi in pressione positiva e depressione, prodotti di ventilazione, vapori, gruppi elettrogeni.

Evacuation of wet and dry smoke under positive and negative pressure, ventilation products, fumes, generators.

DIAMETRI DI PRODUZIONE / DIAMETERS PRODUCED

INTERNO	80	100	130	150	180	200	250	300	350	400
ESTERNO	180	200	230	250	280	300	350	400	450	500
INTERNO	450	500	550	600	650	700	750	800	850	900
ESTERNO	550	600	650	700	750	800	850	900	950	1000

CERTIFICAZIONE / CERTIFICATES

Certificato di Conformità del controllo dei processi produttivi in fabbrica.

Compliance certificate for factory production monitoring.



DOPPIA PARETE ISOLATA 50 mm

50 MM INSULATED DOUBLE-WALL

DESIGNAZIONE / DESIGNATION

CON GUARNIZIONE / WITH GASKET

Sistema di camino EN 1856-1 / Chimney system EN 1856-1 : T200 – P1 – W – V2 – L50050 – O(20)

DISTANZE DAI MATERIALI COMBUSTIBILI DEI SISTEMI DI CAMINO DISTANCE TO COMBUSTIBLE MATERIALS OF CHIMNEY SYSTEMS

Nel caso di "sistemi di camino" la distanza dei materiali combustibili riportata nella designazione si applica fino al diametro interno 300mm. Per sistemi aventi diametro interno superiore a 300mm si applicano i seguenti coefficienti correttivi:

- Per diametri interni tra 301 e 450mm moltiplicare la distanza x 1,5 (30)
- Per diametri interni tra 451 e 600mm moltiplicare la distanza x 2 (40)
- Per diametri interni superiori a 601mm moltiplicare la distanza x 4 (80)

In case of "chimney systems", the distance to combustible materials indicated in the designation applies up to an internal diameter of 300 mm. For systems with an internal diameter above 300 mm, the following adjustment coefficients apply:

- For internal diameters between 301 and 405 mm, multiply distance by 1.5 (75)*
- For internal diameters between 451 and 600 mm, multiply distance by 2 (100)*
- For internal diameters above 601 mm, multiply distance by 4 (200)*

SENZA GUARNIZIONE / WITHOUT GASKET

Sistema di camino EN 1856-1 / Smoke duct EN 1856-1 : T600 – N1 – D – V2 – L50050 – G(70)

DISTANZE DAI MATERIALI COMBUSTIBILI DEI SISTEMI DI CAMINO DISTANCE TO COMBUSTIBLE MATERIALS OF CHIMNEY SYSTEMS

Nel caso di "sistemi di camino" la distanza dei materiali combustibili riportata nella designazione si applica fino al diametro interno 300mm. Per sistemi aventi diametro interno superiore a 300mm si applicano i seguenti coefficienti correttivi:

- Per diametri interni tra 301 e 450mm moltiplicare la distanza x 1,5 (105)
- Per diametri interni tra 451 e 600mm moltiplicare la distanza x 2 (140)
- Per diametri interni superiori a 601mm moltiplicare la distanza x 4 (280)

In case of "chimney systems", the distance to combustible materials indicated in the designation applies up to an internal diameter of 300 mm. For systems with an internal diameter above 300 mm, the following adjustment coefficients apply:

- For internal diameters between 301 and 405 mm, multiply distance by 1.5 (105)*
- For internal diameters between 451 and 600 mm, multiply distance by 2 (140)*
- For internal diameters above 601 mm, multiply distance by 4 (280)*

EN 1856-1/09	: Normativa di riferimento : Reference standard
T200	: Classe di temperatura (200°C) : Temperature class
P1	: Classe di pressione (200Pa) : Pressure class
W	: Resistenza alla condensa (W : umido - D : secco) : Condensate resistance (W : wet - D : dry)
V2	: Resistenza alla corrosione (Si) : Corrosion resistance
L50	: Specifica del materiale utilizzato (A316L) : Material specification
O50	: Spessore del materiale (5/10) : Material thickness
O	: Resistenza al fuoco di fuliggine (G=si - O=no) : Sootfire resistance
(20)	: Distanza dal materiale combustibile (in mm) : Distance to combustible material (in mm)

EN 1856-2/09	: Normativa di riferimento : Reference standard
T600	: Classe di temperatura (600°C) : Temperature class
N1	: Classe di pressione (40Pa) : Pressure class
D	: Resistenza alla condensa (W : umido - D : secco) : Condensate resistance (W : wet - D : dry)
V2	: Resistenza alla corrosione (Si) : Corrosion resistance
L50	: Specifica del materiale utilizzato (A316L) : Material specification
O50	: Spessore del materiale (5/10) : Material thickness
G	: Resistenza al fuoco di fuliggine (G=si - O=no) : Sootfire resistance
(70)	: Distanza dal materiale combustibile (in mm) : Distance to combustible material (in mm)

DOPPIA PARETE ISOLATA 50 mm

50 MM INSULATED DOUBLE-WALL



ELEMENTO LINEARE H=1000 ACCIAIO

LINEAR ELEMENT H=1000 STEEL

CODICE	Ø	€
DDL100080	80/180	142,27
DDL100100	100/200	164,16
DDL100130	130/230	180,58
DDL100150	150/250	191,52
DDL100180	180/280	218,88
DDL100200	200/300	229,82
DDL100250	250/350	273,60
DDL100300	300/400	389,88
DDL100350	350/450	410,40
DDL100400	400/500	454,18
DDL100450	450/550	508,90
DDL100500	500/600	569,09



ELEMENTO LINEARE H=750 ACCIAIO

LINEAR ELEMENT H=750 STEEL

CODICE	Ø	€
DDL075080	80/180	120,38
DDL075100	100/200	125,86
DDL075130	130/230	147,74
DDL075150	150/250	158,69
DDL075180	180/280	177,84
DDL075200	200/300	186,10
DDL075250	250/350	224,35
DDL075300	300/400	342,00
DDL075350	350/450	355,68
DDL075400	400/500	393,98
DDL075450	450/550	426,82
DDL075500	500/600	454,18



ELEMENTO LINEARE H=1000 RAME

LINEAR ELEMENT H=1000 COPPER

CODICE	Ø	€
DDRL100080	80/180	170,43
DDRL100100	100/200	177,84
DDRL100130	130/230	214,89
DDRL100150	150/250	229,71
DDRL100180	180/280	251,94
DDRL100200	200/300	266,76
DDRL100250	250/350	318,63
DDRL100300	300/400	466,83
DDRL100350	350/450	481,65
DDRL100400	400/500	533,52
DDRL100450	450/550	577,98
DDRL100500	500/600	615,03



ELEMENTO LINEARE H=750 RAME

LINEAR ELEMENT H=750 COPPER

CODICE	Ø	€
DDRL075080	80/180	127,45
DDRL075100	100/200	142,27
DDRL075130	130/230	157,09
DDRL075150	150/250	168,95
DDRL075180	180/280	179,32
DDRL075200	200/300	194,14
DDRL075250	250/350	231,19
DDRL075300	300/400	311,22
DDRL075350	350/450	326,04
DDRL075400	400/500	355,68
DDRL075450	450/550	385,32
DDRL075500	500/600	414,96

DOPPIA PARETE ISOLATA 50 mm

50 MM INSULATED DOUBLE-WALL

ELEMENTO LINEARE H=500 ACCIAIO

LINEAR ELEMENT H=500 STEEL



CODICE	Ø	€
DDL050080	80/180	90,29
DDL050100	100/200	101,23
DDL050130	130/230	109,44
DDL050150	150/250	117,65
DDL050180	180/280	123,12
DDL050200	200/300	136,80
DDL050250	250/350	164,16
DDL050300	300/400	225,72
DDL050350	350/450	240,77
DDL050400	400/500	262,66
DDL050450	450/550	284,54
DDL050500	500/600	306,43

ELEMENTO LINEARE H=333 ACCIAIO

LINEAR ELEMENT H=333 STEEL



CODICE	Ø	€
DDL033080	80/180	71,14
DDL033100	100/200	76,61
DDL033130	130/230	84,82
DDL033150	150/250	87,55
DDL033180	180/280	95,76
DDL033200	200/300	109,44
DDL033250	250/350	125,86
DDL033300	300/400	171,00
DDL033350	350/450	183,31
DDL033400	400/500	202,46
DDL033450	450/550	246,24
DDL033500	500/600	268,13

ELEMENTO LINEARE H=500 RAME

LINEAR ELEMENT H=500 COPPER



CODICE	Ø	€
DDRL050080	80/180	100,78
DDRL050100	100/200	108,19
DDRL050130	130/230	124,49
DDRL050150	150/250	127,45
DDRL050180	180/280	142,27
DDRL050200	200/300	157,09
DDRL050250	250/350	179,32
DDRL050300	300/400	248,98
DDRL050350	350/450	248,98
DDRL050400	400/500	274,17
DDRL050450	450/550	333,45
DDRL050500	500/600	363,09

ELEMENTO LINEARE H=333 RAME

LINEAR ELEMENT H=333 COPPER



CODICE	Ø	€
DDRL033080	80/180	85,96
DDRL033100	100/200	93,37
DDRL033130	130/230	105,22
DDRL033150	150/250	109,67
DDRL033180	180/280	118,56
DDRL033200	200/300	131,90
DDRL033250	250/350	149,68
DDRL033300	300/400	207,48
DDRL033350	350/450	214,89
DDRL033400	400/500	237,12
DDRL033450	450/550	288,99
DDRL033500	500/600	311,22

DOPPIA PARETE ISOLATA 50 mm

50 MM INSULATED DOUBLE-WALL

ELEMENTO LINEARE H=250 ACCIAIO

LINEAR ELEMENT H=250 STEEL



CODICE	Ø	€
DDL025080	80/180	60,19
DDL025100	100/200	65,66
DDL025130	130/230	71,14
DDL025150	150/250	73,87
DDL025180	180/280	82,08
DDL025200	200/300	90,29
DDL025250	250/350	103,97
DDL025300	300/400	150,48
DDL025350	350/450	158,69
DDL025400	400/500	175,10
DDL025450	450/550	213,41
DDL025500	500/600	229,82

ELEMENTO TELESCOPICO 270/390 ACCIAIO

TELESCOPIC ELEMENT 270/390 STEEL



CODICE	Ø	€
DDTELE080	80/180	125,86
DDTELE100	100/200	131,33
DDTELE130	130/230	142,27
DDTELE150	150/250	153,22
DDTELE180	180/280	164,16
DDTELE200	200/300	169,63
DDTELE250	250/350	202,46
DDTELE300	300/400	266,76
DDTELE350	350/450	284,54
DDTELE400	400/500	307,80
DDTELE450	450/550	335,16
DDTELE500	500/600	355,68

ELEMENTO LINEARE H=250 RAME

LINEAR ELEMENT H=250 COPPER



CODICE	Ø	€
DDRL025080	80/180	170,43
DDRL025100	100/200	177,84
DDRL025130	130/230	192,66
DDRL025150	150/250	207,48
DDRL025180	180/280	222,30
DDRL025200	200/300	229,71
DDRL025250	250/350	274,17
DDRL025300	300/400	363,09
DDRL025350	350/450	385,32
DDRL025400	400/500	417,92
DDRL025450	450/550	454,97
DDRL025500	500/600	481,65

ELEMENTO TELESCOPICO 270/390 RAME

TELESCOPIC ELEMENT 270/390 COPPER



CODICE	Ø	€
DDRTELE080	80/180	259,35
DDRTELE100	100/200	274,17
DDRTELE130	130/230	296,40
DDRTELE150	150/250	303,81
DDRTELE180	180/280	318,63
DDRTELE200	200/300	333,45
DDRTELE250	250/350	392,73
DDRTELE300	300/400	518,70
DDRTELE350	350/450	548,34
DDRTELE400	400/500	600,21
DDRTELE450	450/550	689,13
DDRTELE500	500/600	333,45

DOPPIA PARETE ISOLATA 50 mm

50 MM INSULATED *DOUBLE-WALL*

ELEMENTO TELESCOPICO 340/550 ACCIAIO

TELESCOPIC ELEMENT 340/550 STEEL



CODICE	Ø	€
DD5TELE080	80/180	191,52
DD5TELE100	100/200	202,46
DD5TELE130	130/230	218,88
DD5TELE150	150/250	224,35
DD5TELE180	180/280	238,03
DD5TELE200	200/300	246,24
DD5TELE250	250/350	290,02
DD5TELE300	300/400	383,04
DD5TELE350	350/450	404,93
DD5TELE400	400/500	443,23
DD5TELE450	450/550	476,06
DD5TELE500	500/600	508,90

ELEMENTO TELESCOPICO 550/880 ACCIAIO

TELESCOPIC ELEMENT 550/880 STEEL



CODICE	Ø	€
DD8TELE080	80/180	246,24
DD8TELE100	100/200	257,18
DD8TELE130	130/230	273,60
DD8TELE150	150/250	290,02
DD8TELE180	180/280	314,64
DD8TELE200	200/300	328,32
DD8TELE250	250/350	388,51
DD8TELE300	300/400	519,84
DD8TELE350	350/450	547,20
DD8TELE400	400/500	601,92
DD8TELE450	450/550	656,64
DD8TELE500	500/600	684,00

ELEMENTO TELESCOPICO 340/550 RAME

TELESCOPIC ELEMENT 340/550 COPPER



CODICE	Ø	€
DDR5TELE080	80/180	348,27
DDR5TELE100	100/200	370,50
DDR5TELE130	130/230	392,73
DDR5TELE150	150/250	429,78
DDR5TELE180	180/280	444,60
DDR5TELE200	200/300	526,11
DDR5TELE250	250/350	703,95
DDR5TELE300	300/400	741,00
DDR5TELE350	350/450	815,10
DDR5TELE400	400/500	889,20
DDR5TELE500	450/550	926,25
DDIRF008500	500/600	465,00

ELEMENTO TELESCOPICO 550/880 RAME

TELESCOPIC ELEMENT 550/880 COPPER



CODICE	Ø	€
DDR8TELE080	80/180	251,94
DDR8TELE100	100/200	274,17
DDR8TELE130	130/230	363,09
DDR8TELE150	150/250	392,73
DDR8TELE180	180/280	414,96
DDR8TELE200	200/300	429,78
DDR8TELE250	250/350	503,88
DDR8TELE300	300/400	675,79
DDR8TELE350	350/450	726,18
DDR8TELE400	400/500	889,20
DDR8TELE450	450/550	1.111,50
DDR8TELE500	500/600	1.407,90

DOPPIA PARETE ISOLATA 50 mm

50 MM INSULATED DOUBLE-WALL

MODULO PRELIEVO FUMI + TERMOMETRO ACCIAIO

SMOKE SAMPLING MODULE + THERMOMETER, STEEL



CODICE	Ø	€
DDTEMP080	80/180	205,20
DDTEMP100	100/200	218,88
DDTEMP130	130/230	229,82
DDTEMP150	150/250	235,30
DDTEMP180	180/280	246,24
DDTEMP200	200/300	254,45
DDTEMP250	250/350	281,81
DDTEMP300	300/400	342,00
DDTEMP350	350/450	358,34
DDTEMP400	400/500	372,10
DDTEMP450	450/550	445,97
DDTEMP500	500/600	470,59

MODULO SOLO PRELIEVO FUMI ACCIAIO

SMOKE SAMPLING MODULE, STEEL



CODICE	Ø	€
DDFUMI080	80/180	134,06
DDFUMI100	100/200	145,01
DDFUMI130	130/230	161,42
DDFUMI150	150/250	166,90
DDFUMI180	180/280	177,84
DDFUMI200	200/300	191,52
DDFUMI250	250/350	235,30
DDFUMI300	300/400	273,60
DDFUMI350	350/450	290,02
DDFUMI400	400/500	317,38
DDFUMI450	450/550	372,10
DDFUMI500	500/600	393,98

MODULO PRELIEVO FUMI + TERMOMETRO RAME

SMOKE SAMPLING MODULE+ THERMOMETER, COPPER



CODICE	Ø	€
DDRTEMP080	80/180	185,25
DDRTEMP100	100/200	200,07
DDRTEMP130	130/230	222,30
DDRTEMP150	150/250	229,71
DDRTEMP180	180/280	244,53
DDRTEMP200	200/300	259,35
DDRTEMP250	250/350	318,63
DDRTEMP300	300/400	370,50
DDRTEMP350	350/450	392,73
DDRTEMP400	400/500	429,78
DDRTEMP450	450/550	503,88
DDRTEMP500	500/600	533,52

MODULO SOLO PRELIEVO FUMI RAME

SMOKE SAMPLING MODULE, COPPER



CODICE	Ø	€
DDRFUMI080	80/180	163,02
DDRFUMI100	100/200	170,43
DDRFUMI130	130/230	177,84
DDRFUMI150	150/250	185,25
DDRFUMI180	180/280	200,07
DDRFUMI200	200/300	214,89
DDRFUMI250	250/350	244,53
DDRFUMI300	300/400	333,45
DDRFUMI350	350/450	348,27
DDRFUMI400	400/500	370,50
DDRFUMI450	450/550	474,24
DDRFUMI500	500/600	577,98

DOPPIA PARETE ISOLATA 50 mm

50 MM INSULATED DOUBLE-WALL

> NEW

MODULO PRELIEVO FUMI 3" H=325
 (TAPPO E NIPPLE INOX A316)
 SMOKE SAMPLING MODULE 3" H=325
 (STAINLESS STEEL A316)



CODICE	Ø	€
DD3FUMI080	80/180	318,74
DD3FUMI100	100/200	335,16
DD3FUMI130	130/230	355,68
DD3FUMI150	150/250	395,35
DD3FUMI180	180/280	409,03
DD3FUMI200	200/300	426,82
DD3FUMI250	250/350	478,80
DD3FUMI300	300/400	574,56
DD3FUMI350	350/450	597,82
DD3FUMI400	400/500	686,74
DD3FUMI450	450/550	818,06
DD3FUMI500	500/600	1056,10



> NEW

MODULO PRELIEVO FUMI 4" H=325
 SMOKE SAMPLING MODULE 4" H=325

CODICE	Ø	€
DD4FUMI080	80/180	318,74
DD4FUMI100	100/200	335,16
DD4FUMI130	130/230	355,68
DD4FUMI150	150/250	395,35
DD4FUMI180	180/280	409,03
DD4FUMI200	200/300	426,82
DD4FUMI250	250/350	478,80
DD4FUMI300	300/400	574,56
DD4FUMI350	350/450	597,82
DD4FUMI400	400/500	686,74
DD4FUMI450	450/550	818,06
DD4FUMI500	500/600	1056,10



GUARNIZIONE FIBRA DI VETRO
 GLASS FIBER GASKET

CODICE	€/metro
MPGFV700	5,47

DOPPIA PARETE ISOLATA 50 mm

50 MM INSULATED *DOUBLE-WALL*



ELEMENTO PER TAGLIO
DOPPIA PARETE ACCIAIO*
*DOUBLE-WALL ELEMENT FOR CUTTING, STEEL**

CODICE	Ø	€
MPTELE180	80/180	35,98
MPTELE200	100/200	38,85
MPTELE220	130/230	43,09
MPTELE250	150/250	47,47
MPTELE300	180/280	54,72
MPTELE350	200/300	73,32
MPTELE400	250/350	86,18

* Altri diametri a richiesta
* Other diameters upon request



RACCORDO "BRAGA" 135 ACCIAIO
135° TEE PIECE, STEEL

CODICE	Ø	€
DDT135080	80/180	383,04
DDT135100	100/200	404,93
DDT135130	130/230	448,70
DDT135150	150/250	547,20
DDT135180	180/280	623,81
DDT135200	200/300	651,17
DDT135250	250/350	760,61
DDT135300	300/400	1026,00
DDT135350	350/450	1083,46
DDT135400	400/500	1192,90
DDT135450	450/550	1559,52
DDT135500	500/600	1915,20



ELEMENTO PER TAGLIO
DOPPIA PARETE RAME*
*DOUBLE-WALL ELEMENT FOR CUTTING, COPPER**

CODICE	Ø	€
MRTAG130	80/180	49,80
MRTAG150	100/200	54,54
MRTAG180	130/230	66,99
MRTAG200	150/250	79,44
MRTAG230	180/280	79,44
MRTAG250	200/300	148,20
MRTAG300	250/350	177,84

* Altri diametri a richiesta
* Other diameters upon request



RACCORDO "BRAGA" 135 RAME
135° TEE PIECE, COPPER

CODICE	Ø	€
DDRT135080	80/180	251,94
DDRT135100	100/200	274,17
DDRT135130	130/230	318,63
DDRT135150	150/250	363,09
DDRT135180	180/280	385,32
DDRT135200	200/300	400,14
DDRT135250	250/350	466,83
DDRT135300	300/400	592,80
DDRT135350	350/450	622,44
DDRT135400	400/500	703,95
DDRT135450	450/550	889,20
DDRT135500	500/600	1185,60

DOPPIA PARETE ISOLATA 50 mm

50 MM INSULATED *DOUBLE-WALL*

RACCORDO "T" 90° CON STACCO DOPPIA PARETE ACCIAIO

90° TEE PIECE W/ *DOUBLE-WALL BRANCH, STEEL*



CODICE	Ø	€
DDT90D080	80/180	186,05
DDT90D100	100/200	202,46
DDT90D130	130/230	268,13
DDT90D150	150/250	290,02
DDT90D180	180/280	303,70
DDT90D200	200/300	317,38
DDT90D250	250/350	372,10
DDT90D300	300/400	506,16
DDT90D350	350/450	536,26
DDT90D400	400/500	656,64
DDT90D450	450/550	820,80
DDT90D500	500/600	1039,68

RACCORDO "T" 90° CON STACCO MONOPARETE ACCIAIO

90° TEE PIECE W/ *SINGLE-WALL BRANCH, STEEL*



CODICE	Ø	€
DDT90M080	80/180	139,54
DDT90M100	100/200	150,48
DDT90M130	130/230	166,90
DDT90M150	150/250	229,82
DDT90M180	180/280	243,50
DDT90M200	200/300	257,18
DDT90M250	250/350	306,43
DDT90M300	300/400	389,88
DDT90M350	350/450	413,14
DDT90M400	400/500	492,48
DDT90M450	450/550	612,86
DDT90M500	500/600	826,27

RACCORDO "T" 90° CON STACCO DOPPIA PARETE RAME

90° TEE PIECE W/ *DOUBLE-WALL BRANCH, COPPER*



CODICE	Ø	€
DDRT90D080	80/180	192,66
DDRT90D100	100/200	207,48
DDRT90D130	130/230	229,71
DDRT90D150	150/250	311,22
DDRT90D180	180/280	333,45
DDRT90D200	200/300	348,27
DDRT90D250	250/350	414,96
DDRT90D300	300/400	533,52
DDRT90D350	350/450	563,16
DDRT90D400	400/500	666,90
DDRT90D450	450/550	829,92
DDRT90D500	500/600	1118,91

RACCORDO "T" 90° CON STACCO MONOPARETE RAME

90° TEE PIECE W/ *SINGLE-WALL BRANCH, COPPER*



CODICE	Ø	€
DDRT90M080	80/180	192,66
DDRT90M100	100/200	207,48
DDRT90M130	130/230	229,71
DDRT90M150	150/250	266,76
DDRT90M180	180/280	288,99
DDRT90M200	200/300	303,81
DDRT90M250	250/350	355,68
DDRT90M300	300/400	459,42
DDRT90M350	350/450	481,65
DDRT90M400	400/500	570,57
DDRT90M450	450/550	711,36
DDRT90M500	500/600	955,89

DOPPIA PARETE ISOLATA 50 mm

50 MM INSULATED *DOUBLE-WALL*

RACCORDO "T" 90° CON STACCO RIDOTTO A 80 MP ACCIAIO

90° TEE PIECE W/ SW BRANCH REDUCED TO 80, STEEL



CODICE	Ø	€
DDT9RM080	80/180	139,54
DDT9RM100	100/200	150,48
DDT9RM130	130/230	166,90
DDT9RM150	150/250	196,99
DDT9RM180	180/280	207,94
DDT9RM200	200/300	221,62
DDT9RM250	250/350	262,66
DDT9RM300	300/400	335,16
DDT9RM350	350/450	352,94
DDT9RM400	400/500	421,34
DDT9RM450	450/550	496,44
DDT9RM500	500/600	705,89



RACCORDO "T" 90° CON STACCO 80 DP COASSIALE ACCIAIO

90° TEE PIECE W/ 80 DW COAXIAL BRANCH, STEEL

CODICE	Ø	€
DDT9RX080	80/180	242,14
DDT9RX100	100/200	262,66
DDT9RX130	130/230	348,84
DDT9RX150	150/250	377,57
DDT9RX180	180/280	396,72
DDT9RX200	200/300	413,14
DDT9RX250	250/350	484,27

RACCORDO "T" 90° CON STACCO RIDOTTO A 80 MP RAME

90° TEE PIECE W/ SW BRANCH REDUCED TO 80, COPPER



CODICE	Ø	€
DDRT9RM080	80/180	518,70
DDRT9RM100	100/200	548,34
DDRT9RM130	130/230	607,62
DDRT9RM150	150/250	741,00
DDRT9RM180	180/280	852,15
DDRT9RM200	200/300	881,79
DDRT9RM250	250/350	1.029,99
DDRT9RM300	300/400	1.393,08
DDRT9RM350	350/450	1.467,18
DDRT9RM400	400/500	1.615,38
DDRT9RM450	450/550	2.119,26
DDRT9RM500	500/600	2.593,50



RACCORDO "T" 90° CON STACCO 80 DP COASSIALE RAME

90° TEE PIECE W/ 80 DW COAXIAL BRANCH, COPPER

CODICE	Ø	€
DDRT9RX080	80/180	303,70
DDRT9RX100	100/200	328,32
DDRT9RX130	130/230	437,76
DDRT9RX150	150/250	471,96
DDRT9RX180	180/280	489,74
DDRT9RX200	200/300	517,10
DDRT9RX250	250/350	607,39

DOPPIA PARETE ISOLATA 50 mm

50 MM INSULATED DOUBLE-WALL



RACCORDO "T" 90° CON STACCO RIDOTTO
A 80 DP ACCIAIO

90° TEE PIECE W/ DW BRANCH REDUCED TO 80, STEEL

CODICE	Ø	€
-	-	-
DDT9RD100	100/200	253,08
DDT9RD130	130/230	335,16
DDT9RD150	150/250	362,52
DDT9RD180	180/280	383,04
DDT9RD200	200/300	396,72
DDT9RD250	250/350	465,12



ELEMENTO DI ISPEZIONE RACCOLTA
INCOMBUSTI ACCIAIO

INSPECTION ELEMENT FOR UNBURNED MATERIALS, STEEL

CODICE	Ø	€
DDINCO080	80/180	376,20
DDINCO100	100/200	383,04
DDINCO130	130/230	396,72
DDINCO150	150/250	403,56
DDINCO180	180/280	424,08
DDINCO200	200/300	430,92
DDINCO250	250/350	506,16
DDINCO300	300/400	588,24
DDINCO350	350/450	615,60
DDINCO400	400/500	704,52
DDINCO450	450/550	937,08
DDINCO500	500/600	1436,40



RACCORDO "T" 90° CON STACCO RIDOTTO
A 80 DP RAME

90° TEE PIECE W/ DW BRANCH REDUCED TO 80, COPPER

CODICE	Ø	€
-	-	-
DDRT9RD100	100/200	343,82
DDRT9RD130	130/230	419,98
DDRT9RD150	150/250	454,18
DDRT9RD180	180/280	482,90
DDRT9RD200	200/300	496,58
DDRT9RD250	250/350	581,40



ELEMENTO DI ISPEZIONE RACCOLTA
INCOMBUSTI RAME

INSPECTION ELEMENT FOR UNBURNED MATERIALS, COPPER

CODICE	Ø	€
DDRINCO080	80/180	281,58
DDRINCO100	100/200	296,40
DDRINCO130	130/230	311,22
DDRINCO150	150/250	318,63
DDRINCO180	180/280	333,45
DDRINCO200	200/300	348,27
DDRINCO250	250/350	385,32
DDRINCO300	300/400	466,83
DDRINCO350	350/450	392,73
DDRINCO400	400/500	503,88
DDRINCO450	450/550	607,62
DDRINCO500	500/600	637,26

DOPPIA PARETE ISOLATA 50 mm

50 MM INSULATED DOUBLE-WALL

ELEMENTO ISPEZIONE
CON TAPPO PER GAS ACCIAIO
INSPECTION ELEMENT W/ PLUG FOR GASES, STEEL



CODICE	Ø	€
DDISPG080	80/180	186,05
DDISPG100	100/200	202,46
DDISPG130	130/230	235,30
DDISPG150	150/250	268,13
DDISPG180	180/280	281,81
DDISPG200	200/300	295,49
DDISPG250	250/350	344,74
DDISPG300	300/400	437,76
DDISPG350	350/450	459,65
DDISPG400	400/500	519,84
DDISPG450	450/550	656,64
DDISPG500	500/600	875,52

ELEMENTO ISPEZIONE
CON TAPPO PER SOLIDI ACCIAIO
INSPECTION ELEMENT W/ PLUG FOR SOLIDS, STEEL



CODICE	Ø	€
DDISPS080	80/180	186,05
DDISPS100	100/200	202,46
DDISPS130	130/230	235,30
DDISPS150	150/250	268,13
DDISPS180	180/280	281,81
DDISPS200	200/300	295,49
DDISPS250	250/350	344,74
DDISPS300	300/400	437,76
DDISPS350	350/450	459,65
DDISPS400	400/500	519,84
DDISPS450	450/550	656,64
DDISPS500	500/600	875,52

ELEMENTO ISPEZIONE
CON TAPPO PER GAS RAME
INSPECTION ELEMENT W/ PLUG FOR GASES, COPPER



CODICE	Ø	€
DDRISPG080	80/180	511,29
DDRISPG100	100/200	518,70
DDRISPG130	130/230	540,93
DDRISPG150	150/250	548,34
DDRISPG180	180/280	577,98
DDRISPG200	200/300	585,39
DDRISPG250	250/350	689,13
DDRISPG300	300/400	800,28
DDRISPG350	350/450	837,33
DDRISPG400	400/500	955,89
DDRISPG450	450/550	1.274,52
DDRISPG500	500/600	1.948,83

ELEMENTO ISPEZIONE
CON TAPPO PER SOLIDI RAME
INSPECTION ELEMENT W/ PLUG FOR SOLIDS, COPPER



CODICE	Ø	€
DDRISPS080	80/180	266,00
DDRISPS100	100/200	289,00
DDRISPS130	130/230	334,00
DDRISPS150	150/250	378,00
DDRISPS180	180/280	400,00
DDRISPS200	200/300	415,00
DDRISPS250	250/350	480,00
DDRISPS300	300/400	605,00
DDRISPS350	350/450	635,00
DDRISPS400	400/500	715,00
DDRISPS450	450/550	900,00
DDRISPS500	500/600	1.200,00

DOPPIA PARETE ISOLATA 50 mm

50 MM INSULATED DOUBLE-WALL



RACCORDO "T" 90° + ISP. SUL RETRO
PER GAS ACCIAIO
90° TEE PIECE + REAR GAS INSPECTION DOOR, STEEL

CODICE	Ø	€
DDT9IG080	80/180	295,49
DDT9IG100	100/200	322,85
DDT9IG130	130/230	426,82
DDT9IG150	150/250	459,65
DDT9IG180	180/280	503,42
DDT9IG200	200/300	580,03
DDT9IG250	250/350	590,98
DDT9IG300	300/400	807,12



RACCORDO "T" 90° + ISP. SUL RETRO
PER SOLIDI ACCIAIO
90° TEE PIECE + REAR SOLIDS INSPECTION DOOR, STEEL

CODICE	Ø	€
DDT9IS080	80/180	295,49
DDT9IS100	100/200	322,85
DDT9IS130	130/230	426,82
DDT9IS150	150/250	459,65
DDT9IS180	180/280	503,42
DDT9IS200	200/300	580,03
DDT9IS250	250/350	590,98
DDT9IS300	300/400	807,12



RACCORDO "T" 90° + ISP. SUL RETRO
PER GAS RAME
90° TEE PIECE + REAR GAS INSPECTION DOOR, COPPER

CODICE	Ø	€
DDRT9IG080	80/180	400,00
DDRT9IG100	100/200	435,00
DDRT9IG130	130/230	570,00
DDRT9IG150	150/250	620,00
DDRT9IG180	180/280	680,00
DDRT9IG200	200/300	785,00
DDRT9IG250	250/350	800,00
DDRT9IG300	300/400	1.090,00



RACCORDO "T" 90° + ISP. SUL RETRO
PER SOLIDI RAME
90° TEE PIECE + REAR SOLIDS INSPECTION DOOR, COPPER

CODICE	Ø	€
DDRT9IS080	80/180	415,00
DDRT9IS100	100/200	450,00
DDRT9IS130	130/230	590,00
DDRT9IS150	150/250	620,00
DDRT9IS180	180/280	690,00
DDRT9IS200	200/300	800,00
DDRT9IS250	250/350	815,00
DDRT9IS300	300/400	1.105,00

DOPPIA PARETE ISOLATA 50 mm

50 MM INSULATED DOUBLE-WALL

TAPPO PER ISPEZIONE
CON GUARNIZIONE ACCIAIO
INSPECTION PLUG WITH GASKET, STEEL



CODICE	Ø	€
MPTAIG080	80	21,89
MPTAIG100	100	24,62
MPTAIG120	120	30,10
MPTAIG130	130	31,46
MPTAIG140	140	34,20
MPTAIG150	150	35,57
MPTAIG160	160	43,78
MPTAIG180	180	46,51
MPTAIG200	200	54,72
MPTAIG250	250	76,61
MPTAIG300	300	101,23

TAPPO ISPEZIONE PER COMBUSTIBILI
SOLIDI ACCIAIO
SOLID FUELS INSPECTION PLUG, STEEL



CODICE	Ø	€
MPTAIS080	80	38,30
MPTAIS100	100	39,67
MPTAIS120	120	43,78
MPTAIS130	130	45,14
MPTAIS140	140	46,51
MPTAIS150	150	50,62
MPTAIS160	160	53,35
MPTAIS180	180	57,46
MPTAIS200	200	64,30
MPTAIS250	250	84,82
MPTAIS300	300	103,97

TAPPO PER ISPEZIONE
CON GUARNIZIONE RAME
INSPECTION PLUG WITH GASKET, COPPER



CODICE	Ø	€
MRTAIG080	80	38,53
MRTAIG100	100	41,50
MRTAIG120	120	47,42
MRTAIG130	130	48,91
MRTAIG140	140	51,87
MRTAIG150	150	53,35
MRTAIG160	160	62,24
MRTAIG180	180	65,21
MRTAIG200	200	81,51
MRTAIG250	250	103,74
MRTAIG300	300	133,38

TAPPO ISPEZIONE PER COMBUSTIBILI
SOLIDI RAME
SOLID FUELS INSPECTION PLUG, COPPER



CODICE	Ø	€
MRTAIS080	80	51,98
MRTAIS100	100	53,35
MRTAIS120	120	57,46
MRTAIS130	130	58,82
MRTAIS140	140	60,19
MRTAIS150	150	64,30
MRTAIS160	160	67,03
MRTAIS180	180	71,14
MRTAIS200	200	82,08
MRTAIS250	250	102,60
MRTAIS300	300	123,12

DOPPIA PARETE ISOLATA 50 mm

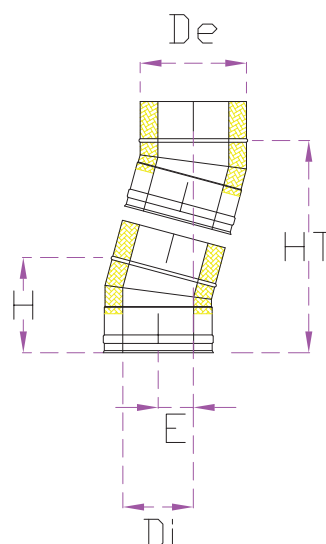
50 MM INSULATED DOUBLE-WALL

CURVA A 15° ACCIAIO

15° BEND, STEEL



CODICE	Ø	€
DDG15F080	80/180	117,65
DDG15F100	100/200	120,38
DDG15F130	130/230	123,12
DDG15F150	150/250	136,80
DDG15F180	180/280	150,48
DDG15F200	200/300	158,69
DDG15F250	250/350	177,84
DDG15F300	300/400	246,24
DDG15F350	350/450	257,18
DDG15F400	400/500	273,60
DDG15F450	450/550	350,21
DDG15F500	500/600	426,82



Di	De	H	E	HT
80	180	120	32	238
100	200	123	32	243
130	230	125	32	246
150	250	130	34	259
180	280	130	34	259
200	300	130	34	260
250	350	142	37	284
300	400	157	41	311
350	450	224	59	447
400	500	230	60	459
450	550	235	62	473
500	600	243	64	484

CURVA A 15° RAME

15° BEND, COPPER



CODICE	Ø	€
DDRG15F080	80/180	148,20
DDRG15F100	100/200	163,02
DDRG15F130	130/230	177,84
DDRG15F150	150/250	192,66
DDRG15F180	180/280	207,48
DDRG15F200	200/300	222,30
DDRG15F250	250/350	281,58
DDRG15F300	300/400	333,45
DDRG15F350	350/450	348,27
DDRG15F400	400/500	385,32
DDRG15F450	450/550	496,47
DDRG15F500	500/600	652,08

SPOSTAMENTO DI ASSE CON CURVE 15° CON ELEMENTO L.250mm - L.325mm - L.500mm - L.750mm - L.1000mm

AXIS SHIFTING WITH 15° BEND + ELEMENT L 250 mm - L 325 mm - L 500 mm - L 750 mm - L 1000 mm

Ø	2 x 15° CON L. 250	2 x 15° CON L. 325	2 x 15° CON L. 500	2 x 15° CON L. 750	2 x 15° CON L. 1000
80	82,0	102,0	147,0	212,0	278,0
100	82,0	102,0	147,0	212,0	278,0
130	82,0	102,0	147,0	212,0	278,0
150	84,0	104,0	149,0	214,0	280,0
180	84,0	104,0	149,0	214,0	280,0
200	85,0	104,0	150,0	214,0	280,0
250	87,0	107,0	152,0	217,0	283,0
300	91,0	111,0	156,0	221,0	286,0
350	110,0	129,0	174,0	239,0	303,0
400	111,0	130,0	175,0	240,0	305,0
450	112,0	132,0	177,0	242,0	307,0
500	115,0	134,0	179,0	244,0	309,0

DOPPIA PARETE ISOLATA 50 mm

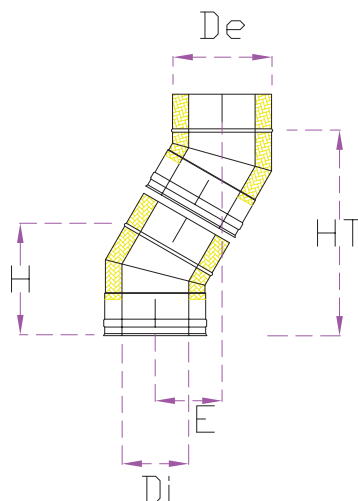
50 MM INSULATED DOUBLE-WALL

CURVA A 30° ACCIAIO

30° BEND, STEEL



CODICE	Ø	€
DDG30F080	80/180	106,70
DDG30F100	100/200	117,65
DDG30F130	130/230	128,59
DDG30F150	150/250	139,54
DDG30F180	180/280	150,48
DDG30F200	200/300	164,16
DDG30F250	250/350	207,94
DDG30F300	300/400	246,24
DDG30F350	350/450	257,18
DDG30F400	400/500	284,54
DDG30F450	450/550	366,62
DDG30F500	500/600	478,80



Di	De	H	E	HT
80	180	135	71	264
100	200	140	73	272
130	230	147	77	285
150	250	156	81	303
180	280	168	85	320
200	300	171	90	334
250	350	182	95	356
300	400	198	105	390
350	450	215	113	423
400	500	234	124	471
450	550	298	157	586
500	600	310	164	611

CURVA A 30° RAME

30° BEND, COPPER



CODICE	Ø	€
DDRG30F080	80/180	148,20
DDRG30F100	100/200	163,02
DDRG30F130	130/230	177,84
DDRG30F150	150/250	192,66
DDRG30F180	180/280	207,48
DDRG30F200	200/300	222,30
DDRG30F250	250/350	281,58
DDRG30F300	300/400	333,45
DDRG30F350	350/450	348,27
DDRG30F400	400/500	385,32
DDRG30F450	450/550	496,47
DDRG30F500	500/600	652,08

SPOSTAMENTO DI ASSE CON CURVE 30° CON ELEMENTO L.250mm - L.325mm - L.500mm - L.750mm - L.1000mm

AXIS SHIFTING WITH 30° BEND + ELEMENT L 250 mm - L 325 mm - L 500 mm - L 750 mm - L 1000 mm

Ø	2 x 30° CON L. 250	2 x 30° CON L. 325	2 x 30° CON L. 500	2 x 30° CON L. 750	2 x 30° CON L. 1000
80	168,5	206,0	293,5	418,5	543,5
100	170,5	208,0	295,5	420,5	545,5
130	174,5	212,0	299,5	424,5	549,5
150	178,5	216,0	303,5	428,5	553,5
180	182,5	220,0	307,5	432,5	557,5
200	187,5	225,0	312,5	437,5	562,5
250	192,5	230,0	317,5	442,5	567,5
300	202,5	240,0	327,5	452,5	577,5
350	210,5	248,0	335,5	460,5	585,5
400	221,5	259,0	346,5	471,5	596,5
450	254,5	292,0	379,5	504,5	629,5
500	261,5	299,0	386,5	511,5	636,5

DOPPIA PARETE ISOLATA 50 mm

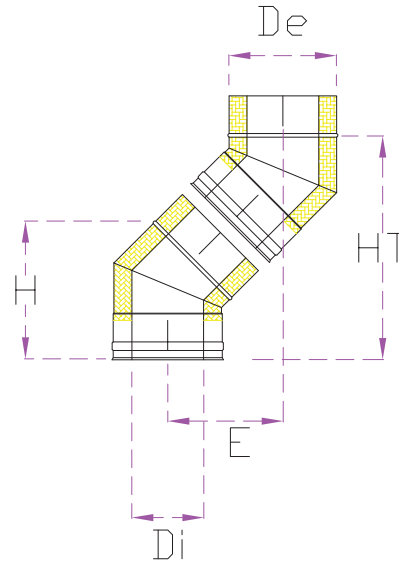
50 MM INSULATED DOUBLE-WALL

CURVA A 45° ACCIAIO

45° BEND, STEEL



CODICE	Ø	€
DDG45F080	80/180	106,70
DDG45F100	100/200	117,65
DDG45F130	130/230	128,59
DDG45F150	150/250	139,54
DDG45F180	180/280	150,48
DDG45F200	200/300	164,16
DDG45F250	250/350	207,94
DDG45F300	300/400	246,24
DDG45F350	350/450	257,18
DDG45F400	400/500	284,54
DDG45F450	450/550	366,62
DDG45F500	500/600	478,80



Di	De	H	E	HT
80	180	155	120	290
100	200	156	122	293
130	230	191	152	365
150	250	175	139	335
180	280	192	152	368
200	300	196	156	376
250	350	212	170	409
300	400	235	188	453
350	450	262	212	511
400	500	273	220	528
450	550	346	280	673
500	600	363	294	709

CURVA A 45° RAME

45° BEND, COPPER



CODICE	Ø	€
DDRG45F080	80/180	244,53
DDRG45F100	100/200	266,76
DDRG45F130	130/230	296,40
DDRG45F150	150/250	326,04
DDRG45F180	180/280	363,09
DDRG45F200	200/300	377,91
DDRG45F250	250/350	474,24
DDRG45F300	300/400	555,75
DDRG45F350	350/450	585,39
DDRG45F400	400/500	652,08
DDRG45F450	450/550	837,33
DDRG45F500	500/600	1.089,27

SPOSTAMENTO DI ASSE CON CURVE 45° CON ELEMENTO L.250mm - L.325mm - L.500mm - L.750mm - L.1000mm

AXIS SHIFTING WITH 45° BEND + ELEMENT L 250 mm - L 325 mm - L 500 mm - L 750 mm - L 1000 mm

Ø	2 x 45° CON L. 250	2 x 45° CON L. 325	2 x 45° CON L. 500	2 x 45° CON L. 750	2 x 45° CON L. 1000
80	258,0	311,0	434,7	611,5	788,0
100	260,0	313,0	436,7	613,5	790,0
130	290,0	343,0	466,7	643,5	820,0
150	277,0	331,0	453,7	630,5	807,0
180	290,0	343,0	466,7	643,5	820,0
200	294,0	347,0	470,7	647,5	824,0
250	308,0	361,0	484,7	661,5	838,0
300	326,0	379,0	502,7	679,5	856,0
350	350,0	403,0	526,7	703,5	880,0
400	358,0	411,0	534,7	711,5	888,0
450	418,0	471,0	594,7	771,5	948,0
500	432,0	485,0	608,7	785,5	962,0

DOPPIA PARETE ISOLATA 50 mm

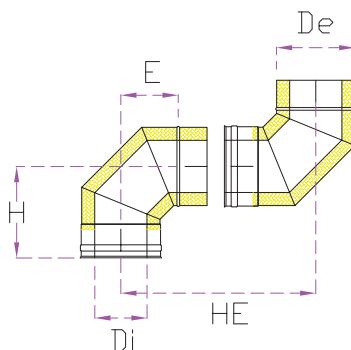
50 MM INSULATED DOUBLE-WALL

CURVA A 90° ACCIAIO

90° BEND, STEEL



CODICE	Ø	€
DDG90F080	80/180	180,58
DDG90F100	100/200	196,99
DDG90F130	130/230	218,88
DDG90F150	150/250	240,77
DDG90F180	180/280	265,39
DDG90F200	200/300	279,07
DDG90F250	250/350	347,47
DDG90F300	300/400	410,40
DDG90F350	350/450	432,29
DDG90F400	400/500	478,80
DDG90F450	450/550	615,60
DDG90F500	500/600	804,38



Di	De	H	E	HE
80	180	126	186	312
100	200	135	200	335
130	230	145	210	355
150	250	150	215	365
180	280	170	235	385
200	300	185	252	437
250	350	215	275	490
300	400	248	327	575
350	450	273	355	628
400	500	326	380	706
450	550	391	446	837
500	600	406	471	877

CURVA A 90° RAME

90° BEND, COPPER



CODICE	Ø	€
DDRG90F080	80/180	148,20
DDRG90F100	100/200	163,02
DDRG90F130	130/230	200,07
DDRG90F150	150/250	244,53
DDRG90F180	180/280	259,35
DDRG90F200	200/300	274,17
DDRG90F250	250/350	296,40
DDRG90F300	300/400	152,65
DDRG90F350	350/450	167,47
DDRG90F400	400/500	207,48
DDRG90F450	450/550	251,94
DDRG90F500	500/600	281,58

SPOSTAMENTO DI ASSE CON CURVE 90° CON ELEMENTO L.250mm - L.325mm - L.500mm - L.750mm - L.1000mm

AXIS SHIFTING WITH 90° BEND + ELEMENT L 250 mm - L 325 mm - L 500 mm - L 750 mm - L 1000 mm

Ø	2 x 90° CON L. 250	2 x 90° CON L. 325	2 x 90° CON L. 500	2 x 90° CON L. 750	2 x 90° CON L. 1000
80	507,0	582,0	757,0	1007,0	1257,0
100	530,0	605,0	780,0	1030,0	1280,0
130	550,0	625,0	800,0	1050,0	1300,0
150	560,0	635,0	810,0	1060,0	1310,0
180	580,0	655,0	830,0	1080,0	1330,0
200	632,0	707,0	882,0	1132,0	1382,0
250	685,0	760,0	935,0	1185,0	1435,0
300	770,0	845,0	1020,0	1270,0	1520,0
350	823,0	898,0	1073,0	1323,0	1573,0
400	901,0	976,0	1151,0	1401,0	1651,0
450	1032,0	1107,0	1282,0	1532,0	1782,0
500	1072,0	1147,0	1322,0	1572,0	1822,0

DOPPIA PARETE ISOLATA 50 mm

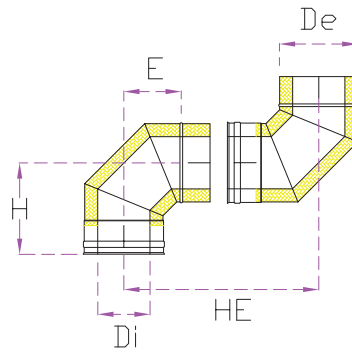
50 MM INSULATED DOUBLE-WALL

CURVA A 90° CON ISPEZIONE ACCIAIO

INSPECTION 90° BEND, STEEL



CODICE	Ø	€
DDG90I080	80/180	285,00
DDG90I100	100/200	310,00
DDG90I130	130/230	345,00
DDG90I150	150/250	380,00
DDG90I180	180/280	445,00
DDG90I200	200/300	460,00
DDG90I250	250/350	545,00
DDG90I300	300/400	650,00



Di	De	H	E	HE
80	180	126	186	312
100	200	135	200	335
130	230	145	210	355
150	250	150	215	365
180	280	170	235	385
200	300	185	252	437
250	350	215	275	490
300	400	248	327	575

CURVA A 90° CON ISPEZIONE RAME

INSPECTION 90° BEND, COPPER



CODICE	Ø	€
DDRG90I080	80/180	400,00
DDRG90I100	100/200	435,00
DDRG90I130	130/230	570,00
DDRG90I150	150/250	620,00
DDRG90I180	180/280	680,00
DDRG90I200	200/300	785,00
DDRG90I250	250/350	800,00
DDRG90I300	300/400	1.090,00

SPOSTAMENTO DI ASSE CON CURVE 90° CON ELEMENTO L.250mm - L.325mm - L.500mm - L.750mm - L.1000mm

AXIS SHIFTING WITH 90° BEND + ELEMENT L 250 mm - L 325 mm - L 500 mm - L 750 mm - L 1000 mm

Ø	2 x 90° CON L. 250	2 x 90° CON L. 325	2 x 90° CON L. 500	2 x 90° CON L. 750	2 x 90° CON L. 1000
80	507,0	582,0	757,0	1007,0	1257,0
100	530,0	605,0	780,0	1030,0	1280,0
130	550,0	625,0	800,0	1050,0	1300,0
150	560,0	635,0	810,0	1060,0	1310,0
180	580,0	655,0	830,0	1080,0	1330,0
200	632,0	707,0	882,0	1132,0	1382,0
250	685,0	760,0	935,0	1185,0	1435,0
300	770,0	845,0	1020,0	1270,0	1520,0

DOPPIA PARETE ISOLATA 50 mm

50 MM INSULATED DOUBLE-WALL

PIASTRA DI SUPPORTO INTERMEDIA ACCIAIO

INTERMEDIATE SUPPORT PLATE, STEEL



CODICE	Ø	€
DDSSOL080	80/180	112,18
DDSSOL100	100/200	123,12
DDSSOL130	130/230	153,22
DDSSOL150	150/250	186,05
DDSSOL180	180/280	209,30
DDSSOL200	200/300	212,04
DDSSOL250	250/350	224,35
DDSSOL300	300/400	266,76
DDSSOL350	350/450	287,28
DDSSOL400	400/500	465,12
DDSSOL450	450/550	533,52
DDSSOL500	500/600	615,60

COPPIA DI ALETTE PER PIASTRA SUPPORTO ACCIAIO

PAIR OF TABS FOR SUPPORT PLATE, STEEL



CODICE	Ø	€
DDALETTE080	80/180	69,77
DDALETTE100	100/200	76,61
DDALETTE130	130/230	98,50
DDALETTE150	150/250	103,97
DDALETTE180	180/280	112,18
DDALETTE200	200/300	114,91
DDALETTE250	250/350	164,16
DDALETTE300	300/400	177,84
DDALETTE350	350/450	205,20
DDALETTE400	400/500	218,88
DDALETTE450	450/550	246,24
DDALETTE500	500/600	273,60

PIASTRA DI SUPPORTO INTERMEDIA RAME

INTERMEDIATE SUPPORT PLATE, COPPER



CODICE	Ø	€
DDRSSOL080	80/180	96,33
DDRSSOL100	100/200	103,74
DDRSSOL130	130/230	133,38
DDRSSOL150	150/250	148,20
DDRSSOL180	180/280	163,02
DDRSSOL200	200/300	163,02
DDRSSOL250	250/350	222,30
DDRSSOL300	300/400	244,53
DDRSSOL350	350/450	296,40
DDRSSOL400	400/500	311,22
DDRSSOL450	450/550	355,68
DDRSSOL500	500/600	392,73

COPPIA DI ALETTE PER PIASTRA SUPPORTO RAME

PAIR OF TABS FOR SUPPORT PLATE, COPPER



CODICE	Ø	€
DDRALETTE080	80/180	170,43
DDRALETTE100	100/200	185,25
DDRALETTE130	130/230	222,30
DDRALETTE150	150/250	281,58
DDRALETTE180	180/280	303,81
DDRALETTE200	200/300	318,63
DDRALETTE250	250/350	348,27
DDRALETTE300	300/400	392,73
DDRALETTE350	350/450	407,55
DDRALETTE400	400/500	503,88
DDRALETTE450	450/550	577,98
DDRALETTE500	500/600	652,08

DOPPIA PARETE ISOLATA 50 mm

50 MM INSULATED DOUBLE-WALL

BASE A TERRA CON SCARICO CONDENSA LATERALE ACCIAIO

FLOOR BASE W/ SIDE CONDENSATE DRAIN, STEEL



CODICE	Ø	€
DDBASE080	80/180	125,86
DDBASE100	100/200	136,80
DDBASE130	130/230	164,16
DDBASE150	150/250	207,94
DDBASE180	180/280	221,62
DDBASE200	200/300	235,30
DDBASE250	250/350	257,18
DDBASE300	300/400	287,28
DDBASE350	350/450	300,96
DDBASE400	400/500	369,36
DDBASE450	450/550	424,08
DDBASE500	500/600	478,80



PIASTRA DI SUPPORTO MP/DP ACCIAIO

SW/DW SUPPORT PLATE, STEEL

CODICE	Ø	€
DDSOLM080	80/180	109,44
DDSOLM100	100/200	120,38
DDSOLM130	130/230	147,74
DDSOLM150	150/250	180,58
DDSOLM180	180/280	191,52
DDSOLM200	200/300	202,46
DDSOLM250	250/350	218,88

BASE A TERRA CON SCARICO CONDENSA LATERALE RAME

FLOOR BASE W/ SIDE CONDENSATE DRAIN, COPPER



CODICE	Ø	€
DRBASE080	80/180	111,15
DRBASE100	100/200	118,56
DRBASE130	130/230	125,97
DRBASE150	150/250	140,79
DRBASE180	180/280	163,02
DRBASE200	200/300	177,84
DRBASE250	250/350	192,66
DRBASE300	300/400	222,30
DRBASE350	350/450	244,53
DRBASE400	400/500	281,58
DRBASE450	450/550	303,81
DRBASE500	500/600	370,50



PIASTRA DI SUPPORTO MP/DP RAME

SW/DW SUPPORT PLATE, COPPER

CODICE	Ø	€
DRSOLM080	80/180	281,58
DRSOLM100	100/200	303,81
DRSOLM130	130/230	363,09
DRSOLM150	150/250	603,17
DRSOLM180	180/280	686,17
DRSOLM200	200/300	797,32
DRSOLM250	250/350	834,37

DOPPIA PARETE ISOLATA 50 mm

50 MM INSULATED DOUBLE-WALL

TAPPO CON SCARICO CONDENSA ACCIAIO

CONDENSATE DRAIN CAP, STEEL



CODICE	Ø	€
DDTASP080	80/180	73,87
DDTASP100	100/200	76,61
DDTASP130	130/230	82,08
DDTASP150	150/250	88,92
DDTASP180	180/280	102,60
DDTASP200	200/300	109,44
DDTASP250	250/350	136,80
DDTASP300	300/400	205,20
DDTASP350	350/450	218,88
DDTASP400	400/500	246,24
DDTASP450	450/550	259,92
DDTASP500	500/600	300,96



TAPPO CIECO CON MANIGLIA ACCIAIO

BLIND CAP WITH HANDLE, STEEL

CODICE	Ø	€
DDTAMA080	80/180	73,87
DDTAMA100	100/200	76,61
DDTAMA130	130/230	82,08
DDTAMA150	150/250	88,92
DDTAMA180	180/280	102,60
DDTAMA200	200/300	109,44
DDTAMA250	250/350	136,80
DDTAMA300	300/400	205,20
DDTAMA350	350/450	218,88
DDTAMA400	400/500	246,24
DDTAMA450	450/550	259,92
DDTAMA500	500/600	300,96

TAPPO CON SCARICO CONDENSA RAME

CONDENSATE DRAIN CAP, COPPER



CODICE	Ø	€
DDRTASP080	80/180	96,33
DDRTASP100	100/200	111,15
DDRTASP130	130/230	118,56
DDRTASP150	150/250	125,97
DDRTASP180	180/280	148,20
DDRTASP200	200/300	163,02
DDRTASP250	250/350	192,66
DDRTASP300	300/400	281,58
DDRTASP350	350/450	296,40
DDRTASP400	400/500	333,45
DDRTASP450	450/550	355,68
DDRTASP500	500/600	407,55



TAPPO CIECO CON MANIGLIA RAME

BLIND CAP WITH HANDLE, COPPER

CODICE	Ø	€
DDRTAMA080	80/180	106,70
DDRTAMA100	100/200	117,08
DDRTAMA130	130/230	124,49
DDRTAMA150	150/250	133,38
DDRTAMA180	180/280	155,61
DDRTAMA200	200/300	170,43
DDRTAMA250	250/350	200,07
DDRTAMA300	300/400	281,58
DDRTAMA350	350/450	296,40
DDRTAMA400	400/500	333,45
DDRTAMA450	450/550	355,68
DDRTAMA500	500/600	407,55

DOPPIA PARETE ISOLATA 50 mm

50 MM INSULATED DOUBLE-WALL

AUMENTO DI SEZIONE DOPPIA/DOPPIA ACCIAIO*

DW/DW INCREASER, STEEL*



CODICE	Ø	€
-	-	-
DDAUSE100	*...x100	114,91
DDAUSE130	*...x130	125,86
DDAUSE150	*...x150	136,80
DDAUSE180	*...x180	147,74
DDAUSE200	*...x200	153,22
DDAUSE250	*...x250	169,63
DDAUSE300	*...x300	202,46
DDAUSE350	*...x350	218,88
DDAUSE400	*...x400	235,30
DDAUSE450	*...x450	273,60
DDAUSE500	*...x500	350,21

* In fase di ordine specificare il Ø minore ridotto
* When ordering specify the reduced minor Ø

RIDUZIONE DI SEZIONE DOPPIA/DOPPIA ACCIAIO*

DW/DW REDUCER, STEEL*



CODICE	Ø	€
-	-	-
DDRIDE100	100x...*	114,91
DDRIDE130	130x...*	125,86
DDRIDE150	150x...*	136,80
DDRIDE180	180x...*	147,74
DDRIDE200	200x...*	153,22
DDRIDE250	250x...*	169,63
DDRIDE300	300x...*	202,46
DDRIDE350	350x...*	218,88
DDRIDE400	400x...*	235,30
DDRIDE450	450x...*	273,60
DDRIDE500	500x...*	350,21

* In fase di ordine specificare il Ø minore ridotto
* When ordering specify the reduced minor Ø

AUMENTO DI SEZIONE DOPPIA/DOPPIA RAME*

DW/DW INCREASER, COPPER*



CODICE	Ø	€
-	-	-
DDRAUSE100	*...x100	155,61
DDRAUSE130	*...x130	170,43
DDRAUSE150	*...x150	185,25
DDRAUSE180	*...x180	192,66
DDRAUSE200	*...x200	214,89
DDRAUSE250	*...x250	237,12
DDRAUSE300	*...x300	259,35
DDRAUSE350	*...x350	274,17
DDRAUSE400	*...x400	318,63
DDRAUSE450	*...x450	370,50
DDRAUSE500	*...x500	474,24

* In fase di ordine specificare il Ø minore ridotto
* When ordering specify the reduced minor Ø

RIDUZIONE DI SEZIONE DOPPIA/DOPPIA RAME*

DW/DW REDUCER, COPPER*



CODICE	Ø	€
-	-	-
DDRRIDE100	100x...*	155,61
DDRRIDE130	130x...*	170,43
DDRRIDE150	150x...*	185,25
DDRRIDE180	180x...*	192,66
DDRRIDE200	200x...*	214,89
DDRRIDE250	250x...*	237,12
DDRRIDE300	300x...*	259,35
DDRRIDE350	350x...*	274,17
DDRRIDE400	400x...*	318,63
DDRRIDE450	450x...*	370,50
DDRRIDE500	500x...*	474,24

* In fase di ordine specificare il Ø minore ridotto
* When ordering specify the reduced minor Ø

DOPPIA PARETE ISOLATA 50 mm

50 MM INSULATED DOUBLE-WALL

RACCORDO MONO/DOPPIA ACCIAIO

SINGLE TO DOUBLE WALL ADAPTER, STEEL



CODICE	Ø	€
DDRMDP080	80/180	82,08
DDRMDP100	100/200	84,82
DDRMDP130	130/230	93,02
DDRMDP150	150/250	103,97
DDRMDP180	180/280	117,65
DDRMDP200	200/300	131,33
DDRMDP250	250/350	142,27
DDRMDP300	300/400	164,16
DDRMDP350	350/450	177,84
DDRMDP400	400/500	207,94
DDRMDP450	450/550	224,35
DDRMDP500	500/600	273,60

RACCORDO CALDAIA ACCIAIO

BOILER ADAPTER, STEEL



CODICE	Ø	€
DDRCDP080	80/180	82,08
DDRCDP100	100/200	84,82
DDRCDP130	130/230	93,02
DDRCDP150	150/250	103,97
DDRCDP180	180/280	117,65
DDRCDP200	200/300	131,33
DDRCDP250	250/350	142,27
DDRCDP300	300/400	164,16
DDRCDP350	350/450	177,84
DDRCDP400	400/500	207,94
DDRCDP450	450/550	224,35
DDRCDP500	500/600	273,60

RACCORDO MONO/DOPPIA RAME

SINGLE TO DOUBLE WALL ADAPTER, COPPER



CODICE	Ø	€
DDRRMDP080	80/180	111,15
DDRRMDP100	100/200	118,56
DDRRMDP130	130/230	125,97
DDRRMDP150	150/250	140,79
DDRRMDP180	180/280	163,02
DDRRMDP200	200/300	177,84
DDRRMDP250	250/350	192,66
DDRRMDP300	300/400	222,30
DDRRMDP350	350/450	244,53
DDRRMDP400	400/500	281,58
DDRRMDP450	450/550	303,81
DDRRMDP500	500/600	370,50

RACCORDO CALDAIA RAME

BOILER ADAPTER, COPPER



CODICE	Ø	€
DDRRCDP080	80/180	111,15
DDRRCDP100	100/200	118,56
DDRRCDP130	130/230	125,97
DDRRCDP150	150/250	140,79
DDRRCDP180	180/280	163,02
DDRRCDP200	200/300	177,84
DDRRCDP250	250/350	192,66
DDRRCDP300	300/400	222,30
DDRRCDP350	350/450	244,53
DDRRCDP400	400/500	281,58
DDRRCDP450	450/550	303,81
DDRRCDP500	500/600	370,50

DOPPIA PARETE ISOLATA 50 mm

50 MM INSULATED *DOUBLE-WALL*

RACCORDO DOPPIA/MONO ACCIAIO

DOUBLE TO SINGLE WALL ADAPTER, STEEL



CODICE	Ø	€
DDRDPM080	80/180	82,08
DDRDPM100	100/200	84,82
DDRDPM130	130/230	93,02
DDRDPM150	150/250	103,97
DDRDPM180	180/280	117,65
DDRDPM200	200/300	131,33
DDRDPM250	250/350	142,27
DDRDPM300	300/400	164,16
DDRDPM350	350/450	177,84
DDRDPM400	400/500	207,94
DDRDPM450	450/550	224,35
DDRDPM500	500/600	273,60

RACCORDO CALDAIA RIDOTTO FEMMINA ACCIAIO*

FEMALE REDUCING BOILER ADAPTER, STEEL*



CODICE	Ø	€
-	-	-
DDCFR100	100/200	153,22
DDCFR130	130/230	171,00
DDCFR150	150/250	186,05
DDCFR180	180/280	198,36
DDCFR200	200/300	212,04
DDCFR250	250/350	232,56
DDCFR300	300/400	294,12
DDCFR350	350/450	314,64
DDCFR400	400/500	622,44
DDCFR450	450/550	772,92
DDCFR500	500/600	930,24

* Specificare Ø Femmina ridotto

* Specify Ø Reduced female

RACCORDO DOPPIA/MONO RAME

DOUBLE TO SINGLE WALL ADAPTER, COPPER



CODICE	Ø	€
DDRRDPM080	80/180	111,15
DDRRDPM100	100/200	118,56
DDRRDPM130	130/230	125,97
DDRRDPM150	150/250	140,79
DDRRDPM180	180/280	163,02
DDRRDPM200	200/300	177,84
DDRRDPM250	250/350	192,66
DDRRDPM300	300/400	222,30
DDRRDPM350	350/450	244,53
DDRRDPM400	400/500	281,58
DDRRDPM450	450/550	303,81
DDRRDPM500	500/600	370,50

RACCORDO CALDAIA RIDOTTO FEMMINA RAME*

FEMALE REDUCING BOILER ADAPTER, COPPER*



CODICE	Ø	€
-	-	-
DDRCFR100	100/200	148,20
DDRCFR130	130/230	158,57
DDRCFR150	150/250	176,36
DDRCFR180	180/280	207,48
DDRCFR200	200/300	222,30
DDRCFR250	250/350	241,57
DDRCFR300	300/400	281,58
DDRCFR350	350/450	306,77
DDRCFR400	400/500	352,72
DDRCFR450	450/550	380,87
DDRCFR500	500/600	463,87

* Specificare Ø Femmina ridotto

* Specify Ø Reduced female

DOPPIA PARETE ISOLATA 50 mm

50 MM INSULATED DOUBLE-WALL

TERMINALE ANTIVENTO ACCIAIO

WINDPROOF CAP, STEEL



CODICE	Ø	€
DDBOTT080	80/180	136,80
DDBOTT100	100/200	153,22
DDBOTT130	130/230	171,00
DDBOTT150	150/250	186,05
DDBOTT180	180/280	198,36
DDBOTT200	200/300	212,04
DDBOTT250	250/350	232,56
DDBOTT300	300/400	294,12
DDBOTT350	350/450	314,64
DDBOTT400	400/500	622,44
DDBOTT450	450/550	772,92
DDBOTT500	500/600	930,24

TERMINALE PARAPIOGGIA ACCIAIO

RAIN CAP, STEEL



CODICE	Ø	€
DDPARA080	80/180	87,55
DDPARA100	100/200	93,02
DDPARA130	130/230	103,97
DDPARA150	150/250	106,70
DDPARA180	180/280	123,12
DDPARA200	200/300	136,80
DDPARA250	250/350	177,84
DDPARA300	300/400	205,20
DDPARA350	350/450	218,88
DDPARA400	400/500	307,80
DDPARA450	450/550	383,04
DDPARA500	500/600	492,48

TERMINALE ANTIVENTO RAME

WINDPROOF CAP, COPPER



CODICE	Ø	€
DDRBOTT080	80/180	192,66
DDRBOTT100	100/200	207,48
DDRBOTT130	130/230	237,12
DDRBOTT150	150/250	266,76
DDRBOTT180	180/280	288,99
DDRBOTT200	200/300	303,81
DDRBOTT250	250/350	340,86
DDRBOTT300	300/400	400,14
DDRBOTT350	350/450	429,78
DDRBOTT400	400/500	844,74
DDRBOTT450	450/550	1052,22
DDRBOTT500	500/600	1259,70

TERMINALE PARAPIOGGIA RAME

RAIN CAP, COPPER



CODICE	Ø	€
DDRPARA080	80/180	118,56
DDRPARA100	100/200	125,97
DDRPARA130	130/230	140,79
DDRPARA150	150/250	145,24
DDRPARA180	180/280	170,43
DDRPARA200	200/300	185,25
DDRPARA250	250/350	244,53
DDRPARA300	300/400	281,58
DDRPARA350	350/450	296,40
DDRPARA400	400/500	414,96
DDRPARA450	450/550	518,70
DDRPARA500	500/600	629,85

DOPPIA PARETE ISOLATA 50 mm

50 MM INSULATED *DOUBLE-WALL*

TERMINALE TRONCO DI CONO ACCIAIO

TRUNCATED CONE CAP, STEEL



CODICE	Ø	€
DDCONO080	80/180	84,82
DDCONO100	100/200	87,55
DDCONO130	130/230	95,76
DDCONO150	150/250	105,34
DDCONO180	180/280	116,28
DDCONO200	200/300	125,86
DDCONO250	250/350	142,27
DDCONO300	300/400	157,32
DDCONO350	350/450	164,16
DDCONO400	400/500	191,52
DDCONO450	450/550	218,88
DDCONO500	500/600	251,71

TERMINALE CONO ROVESCIO ACCIAIO

INVERTED CONE CAP, STEEL



CODICE	Ø	€
DDCONV080	80/180	184,68
DDCONV100	100/200	205,20
DDCONV130	130/230	212,04
DDCONV150	150/250	232,56
DDCONV180	180/280	246,24
DDCONV200	200/300	259,92
DDCONV250	250/350	273,60
DDCONV300	300/400	335,16
DDCONV350	350/450	355,68
DDCONV400	400/500	642,96
DDCONV450	450/550	697,68
DDCONV500	500/600	752,40

TERMINALE TRONCO DI CONO RAME

TRUNCATED CONE CAP, COPPER



CODICE	Ø	€
DDRCONO080	80/180	125,97
DDRCONO100	100/200	133,38
DDRCONO130	130/230	140,79
DDRCONO150	150/250	148,20
DDRCONO180	180/280	163,02
DDRCONO200	200/300	170,43
DDRCONO250	250/350	192,66
DDRCONO300	300/400	222,30
DDRCONO350	350/450	237,12
DDRCONO400	400/500	274,17
DDRCONO450	450/550	318,63
DDRCONO500	500/600	363,09

TERMINALE CONO ROVESCIO RAME

INVERTED CONE CAP, COPPER



CODICE	Ø	€
DDRCONV080	80/180	251,94
DDRCONV100	100/200	281,58
DDRCONV130	130/230	288,99
DDRCONV150	150/250	318,63
DDRCONV180	180/280	340,86
DDRCONV200	200/300	355,68
DDRCONV250	250/350	370,50
DDRCONV300	300/400	459,42
DDRCONV350	350/450	489,06
DDRCONV400	400/500	874,38
DDRCONV450	450/550	948,48
DDRCONV500	500/600	1022,58

DOPPIA PARETE ISOLATA 50 mm

50 MM INSULATED DOUBLE-WALL

TERMINALE A ELEMENTI ACCIAIO

MULTIPLE-ELEMENT CAP, STEEL



CODICE	Ø	€
DDITAL080	80/180	164,16
DDITAL100	100/200	177,84
DDITAL130	130/230	198,36
DDITAL150	150/250	239,40
DDITAL180	180/280	273,60
DDITAL200	200/300	287,28
DDITAL250	250/350	294,12
DDITAL300	300/400	342,00
DDITAL350	350/450	342,00
DDITAL400	400/500	410,40
DDITAL450	450/550	465,12
DDITAL500	500/600	492,48



FASCETTA COPRIGIUNTO ACCIAIO

JOINT CLAMP BAND, STEEL

CODICE	Ø	€
DDFGIU080	80/180	10,26
DDFGIU100	100/200	10,53
DDFGIU130	130/230	10,94
DDFGIU150	150/250	11,08
DDFGIU180	180/280	11,63
DDFGIU200	200/300	11,90
DDFGIU250	250/350	12,72
DDFGIU300	300/400	13,68
DDFGIU350	350/450	14,36
DDFGIU400	400/500	15,87
DDFGIU450	450/550	17,24
DDFGIU500	500/600	18,74

TERMINALE A ELEMENTI RAME

MULTIPLE-ELEMENT CAP, COPPER



CODICE	Ø	€
DDRITAL080	80/180	237,12
DDRITAL100	100/200	251,94
DDRITAL130	130/230	281,58
DDRITAL150	150/250	340,86
DDRITAL180	180/280	363,09
DDRITAL200	200/300	377,91
DDRITAL250	250/350	392,73
DDRITAL300	300/400	414,96
DDRITAL350	350/450	474,24
DDRITAL400	400/500	548,34
DDRITAL450	450/550	629,85
DDRITAL500	500/600	666,90



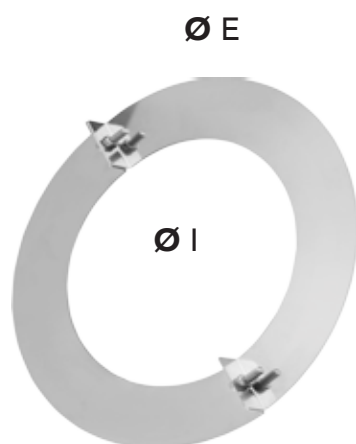
FASCETTA COPRIGIUNTO RAME

JOINT CLAMP BAND, COPPER

CODICE	Ø	€
DDRFGIU080	80/180	14,82
DDRFGIU100	100/200	15,56
DDRFGIU130	130/230	16,30
DDRFGIU150	150/250	17,04
DDRFGIU180	180/280	17,78
DDRFGIU200	200/300	17,78
DDRFGIU250	250/350	18,53
DDRFGIU300	300/400	20,75
DDRFGIU350	350/450	22,23
DDRFGIU400	400/500	23,71
DDRFGIU450	450/550	25,19
DDRFGIU500	500/600	29,64

DOPPIA PARETE ISOLATA 50 mm

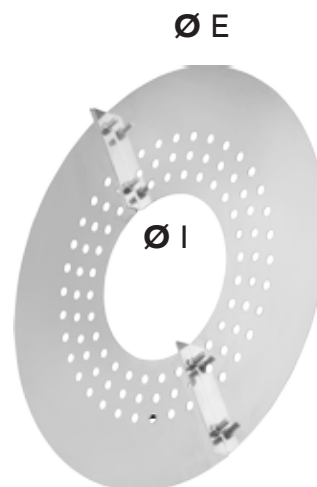
50 MM INSULATED *DOUBLE-WALL*



ROSONE PIANO DI FINITURA
ACCIAIO

FLAT FINISHING ROSETTE, STEEL

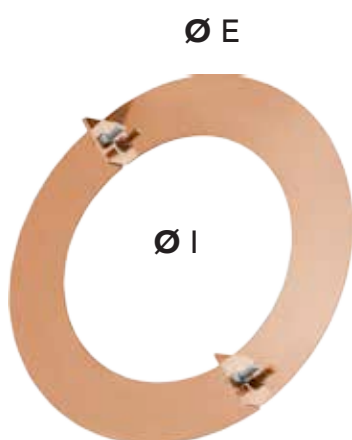
x DP	CODICE	I	Ø E	€
80/180	MPROSF180	180	280	32,83
100/200	MPROSF200	200	300	35,57
130/230	MPROSF230	230	330	41,04
150/250	MPROSF250	250	350	46,51
200/300	MPROSF300	300	400	57,46
250/350	MPROSF350	350	450	68,40



ROSONE COPRIFORO "VENTILATO"
ACCIAIO

"VENTED" HOLE-COVERING ROSETTE, STEEL

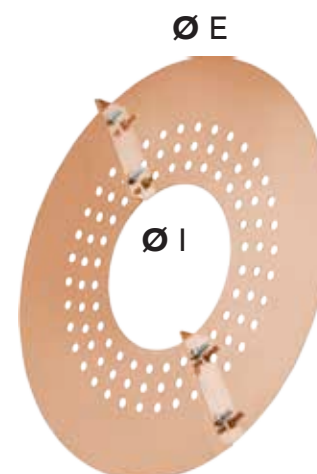
x DP	CODICE	I	Ø E	€
80/180	DPROSV130	180	380	54,72
100/200	DPROSV150	200	400	61,56
130/230	DPROSV180	230	430	68,40
150/250	DPROSV200	250	450	75,24
200/300	DPROSV250	300	500	88,92
250/350	DPROSV300	350	550	109,44



ROSONE PIANO DI FINITURA
RAME

FLAT FINISHING ROSETTE, COPPER

x DP	CODICE	I	Ø E	€
80/180	MRROSF080	180	280	37,05
100/200	MRROSF200	200	300	63,73
130/230	MRROSF230	230	330	74,10
150/250	MRROSF250	250	350	81,51
200/300	MRROSF300	300	400	96,33
250/350	MRROSF350	350	450	111,15



ROSONE COPRIFORO "VENTILATO"
RAME

"VENTED" HOLE-COVERING ROSETTE, COPPER

x DP	CODICE	I	Ø E	€
80/180	DRROSV130	180	380	118,56
100/200	DRROSV150	200	400	133,38
130/230	DRROSV180	230	430	148,20
150/250	DRROSV200	250	450	163,02
200/300	DRROSV250	300	500	192,66
250/350	DRROSV300	350	550	237,12

DOPPIA PARETE ISOLATA 50 mm

50 MM INSULATED DOUBLE-WALL

STAFFA A MURO FISSA 50 mm ACCIAIO

FIXED WALL BRACKET 50 mm STEEL



CODICE	Ø	€
DDCOLF080	80/180	31,46
DDCOLF100	100/200	34,20
DDCOLF130	130/230	38,30
DDCOLF150	150/250	39,67
DDCOLF180	180/280	43,78
DDCOLF200	200/300	43,78
DDCOLF250	250/350	56,09
DDCOLF300	300/400	82,08
DDCOLF350	350/450	88,92
DDCOLF400	400/500	123,12
DDCOLF450	450/550	171,00
DDCOLF500	500/600	184,68

STAFFA A MURO REGOLABILE 50 mm/80 mm ACCIAIO

ADJUSTABLE WALL BRACKET 50 mm/80 mm STEEL



CODICE	Ø	€
DDCOLR080	80/180	34,20
DDCOLR100	100/200	36,94
DDCOLR130	130/230	41,04
DDCOLR150	150/250	42,41
DDCOLR180	180/280	47,88
DDCOLR200	200/300	47,88
DDCOLR250	250/350	61,56
DDCOLR300	300/400	95,76
DDCOLR350	350/450	109,44

STAFFA A MURO FISSA 50 mm RAME

FIXED WALL BRACKET 50 mm COPPER



CODICE	Ø	€
DDRCOLF080	80/180	53,35
DDRCOLF100	100/200	56,32
DDRCOLF130	130/230	60,76
DDRCOLF150	150/250	63,73
DDRCOLF180	180/280	71,14
DDRCOLF200	200/300	71,14
DDRCOLF250	250/350	102,26
DDRCOLF300	300/400	118,56
DDRCOLF350	350/450	125,97
DDRCOLF400	400/500	177,84
DDRCOLF450	450/550	244,53
DDRCOLF500	500/600	259,35

STAFFA A MURO REGOLABILE 50 mm/80 mm RAME

ADJUSTABLE WALL BRACKET 50 mm/80 mm COPPER



CODICE	Ø	€
DDRCOLR080	80/180	68,17
DDRCOLR100	100/200	77,06
DDRCOLR130	130/230	84,47
DDRCOLR150	150/250	88,92
DDRCOLR180	180/280	99,29
DDRCOLR200	200/300	99,29
DDRCOLR250	250/350	111,15

DOPPIA PARETE ISOLATA 50 mm

50 MM INSULATED *DOUBLE-WALL*

> NEW

COPPIA PROLUNGHE PER STAFFA MURALE ACCIAIO

PAIR OF WALL BRACKET EXTENSIONS, STEEL



CODICE	L	€
DPPROL300	300mm	41,04
DPPROL400	400mm	68,40



CODICE	L	€
DPPROL200	200mm	15,05



FASCETTA CAVI TIRANTI ACCIAIO

GUY WIRE BRACKET, STEEL

CODICE	Ø	€
DDFCTI080	80/180	34,20
DDFCTI100	100/200	35,57
DDFCTI130	130/230	36,94
DDFCTI150	150/250	38,30
DDFCTI180	180/280	42,41
DDFCTI200	200/300	42,41
DDFCTI250	250/350	54,72
DDFCTI300	300/400	56,09
DDFCTI350	350/450	57,46
DDFCTI400	400/500	61,56
DDFCTI450	450/550	65,66
DDFCTI500	500/600	68,40

> NEW

COPPIA PROLUNGHE PER STAFFA MURALE RAME

PAIR OF WALL BRACKET EXTENSIONS, COPPER



CODICE	L	€
DRPROL300	300mm	66,69
DRPROL400	400mm	80,03



CODICE	L	€
DRPROL200	200mm	25,19



FASCETTA CAVI TIRANTI RAME

GUY WIRE BRACKET, COPPER

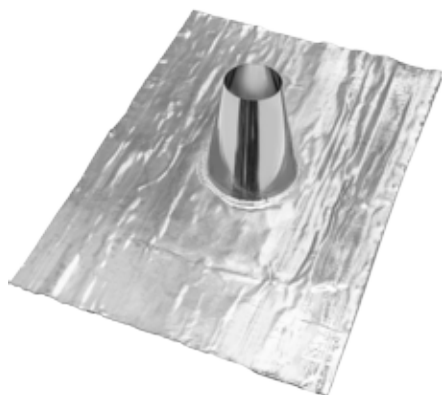
CODICE	Ø	€
DDRFCTI080	80/180	148,20
DDRFCTI100	100/200	158,57
DDRFCTI130	130/230	176,36
DDRFCTI150	150/250	207,48
DDRFCTI180	180/280	222,30
DDRFCTI200	200/300	241,57
DDRFCTI250	250/350	281,58
DDRFCTI300	300/400	306,77
DDRFCTI350	350/450	352,72
DDRFCTI400	400/500	380,87
DDRFCTI450	450/550	463,87
DDRFCTI500	500/600	192,66

DOPPIA PARETE ISOLATA 50 mm

50 MM INSULATED DOUBLE-WALL

FALDALE PIANO INOX BASE PIOMBO (1000x700)

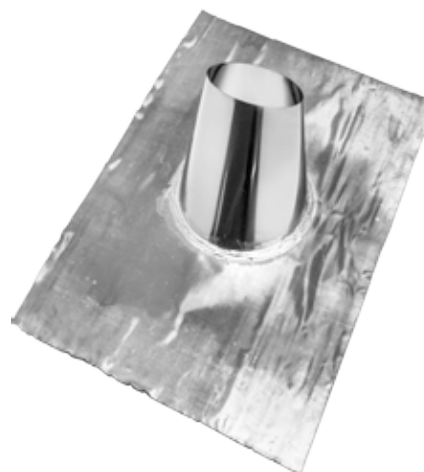
FLAT FLASHING, SS W/ LEAD BASE (1000x700)



CODICE	Ø	€
DDFPBP080	80/180	198,36
DDFPBP100	100/200	198,36
DDFPBP130	130/230	225,72
DDFPBP150	150/250	225,72
DDFPBP180	180/280	239,40
DDFPBP200	200/300	239,40
DDFPBP250	250/350	259,92
DDFPBP300	300/400	328,32
DDFPBP350	350/450	355,68
DDFPBP400	400/500	369,36
DDFPBP450	450/550	383,04
DDFPBP500	500/600	437,76

FALDALE INCLINATO INOX BASE PIOMBO (1000x700)

SLOPED FLASHING, SS W/ LEAD BASE (1000x700)



CODICE	Ø	€
DDFIBP080	80/180	42,41
DDFIBP100	100/200	56,09
DDFIBP130	130/230	61,56
DDFIBP150	150/250	61,56
DDFIBP180	180/280	64,30
DDFIBP200	200/300	64,30
DDFIBP250	250/350	68,40
DDFIBP300	300/400	82,08
DDFIBP350	350/450	82,08
DDFIBP400	400/500	95,76
DDFIBP450	450/550	106,70
DDFIBP500	500/600	116,28

FALDALE PIANO RAME BASE PIOMBO (1000x700)

FLAT FLASHING, COPPER W/ LEAD BASE (1000x700)



CODICE	Ø	€
DDRFPBP080	80/180	237,12
DDRFPBP100	100/200	237,12
DDRFPBP130	130/230	266,76
DDRFPBP150	150/250	266,76
DDRFPBP180	180/280	288,99
DDRFPBP200	200/300	288,99
DDRFPBP250	250/350	326,04
DDRFPBP300	300/400	414,96
DDRFPBP350	350/450	474,24
DDRFPBP400	400/500	496,47
DDRFPBP450	450/550	518,70
DDRFPBP500	500/600	533,52

FALDALE INCLINATO RAME BASE PIOMBO (1000x700)

SLOPED FLASHING, COPPER W/ LEAD BASE (1000x700)



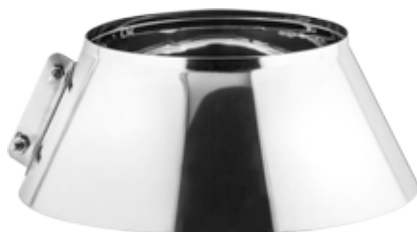
CODICE	Ø	€
DDRFIBP080	80/180	237,12
DDRFIBP100	100/200	237,12
DDRFIBP130	130/230	266,76
DDRFIBP150	150/250	266,76
DDRFIBP180	180/280	288,99
DDRFIBP200	200/300	288,99
DDRFIBP250	250/350	326,04
DDRFIBP300	300/400	414,96
DDRFIBP350	350/450	474,24
DDRFIBP400	400/500	496,47
DDRFIBP450	450/550	518,70
DDRFIBP500	500/600	533,52

DOPPIA PARETE ISOLATA 50 mm

50 MM INSULATED DOUBLE-WALL

SCOSSALINA PER FALDALE ACCIAIO

STORM COLLAR FOR FLASHING, STEEL



CODICE	Ø	€
DDSCOS080	80/180	42,41
DDSCOS100	100/200	56,09
DDSCOS130	130/230	61,56
DDSCOS150	150/250	61,56
DDSCOS180	180/280	64,30
DDSCOS200	200/300	64,30
DDSCOS250	250/350	68,40
DDSCOS300	300/400	82,08
DDSCOS350	350/450	82,08
DDSCOS400	400/500	95,76
DDSCOS450	450/550	106,70
DDSCOS500	500/600	116,28

GUARNIZIONE IN SILICONE (MAX 200°C)

SILICONE GASKET (MAX 200 °C)



CODICE	Ø	€
MPGSIL080	80	1,37
MPGSIL100	100	2,19
MPGSIL130	130	3,01
MPGSIL150	150	4,10
MPGSIL180	180	5,75
MPGSIL200	200	6,57
MPGSIL250	250	10,26
MPGSIL300	300	12,04
MPGSIL350	350	19,15
MPGSIL400	400	21,89
* MPGSIL450	450	24,62
* MPGSIL500	500	28,73

* In 2 pezzi
* On 2 pieces

SCOSSALINA PER FALDALE RAME

STORM COLLAR FOR FLASHING, COPPER



CODICE	Ø	€
DDRSCOS080	80/180	85,96
DDRSCOS100	100/200	88,92
DDRSCOS130	130/230	109,67
DDRSCOS150	150/250	112,63
DDRSCOS180	180/280	124,49
DDRSCOS200	200/300	124,49
DDRSCOS250	250/350	170,43
DDRSCOS300	300/400	177,84
DDRSCOS350	350/450	177,84
DDRSCOS400	400/500	192,66
DDRSCOS450	450/550	207,48
DDRSCOS500	500/600	222,30

> NEW

GUARNIZIONE EPDM 5000 Pa PER CONDENSAZIONE (MAX 120°C)

EPDM GASKET 5000 Pa FOR CONDENSATION (MAX 120 °C)



CODICE	Ø	€
MPEPDM080	80	1,37
MPEPDM100	100	2,19
MPEPDM130	130	3,01
MPEPDM150	150	4,10
MPEPDM180	180	5,75
MPEPDM200	200	6,57
MPEPDM250	250	10,26
MPEPDM300	300	12,04

Per l'innesto si consiglia l'uso di scivolante
We recommend using lubricant



Tre G s.r.l.

Tel. 045 5708630

www.tregcannefumarie.it

info@tregcannefumarie.it

magazzino@tregcannefumarie.it

